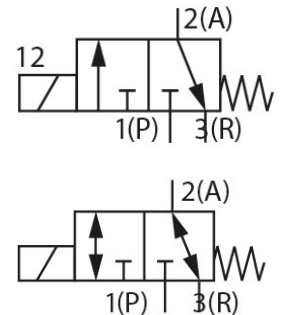


Media-separated solenoid valves are an important component in the control of fluids in systems.

With these direct or pilot operated valves only the fluid housing and the separating diaphragm come into contact with the medium. Thus, these valves can withstand many different media (see resistance chart).

In addition, the brass housing meets all the conventional potable water requirements. The direct controlled valve in the 3/2-way design can be used either as a mixing valve or for any desired flow direction.

Housing	Brass
Valve seat	Brass
Internal parts	Brass
Medium	Neutral medium such as compressed air, town gas, water, hydraulic oil, oils and fats without additives, oxygen (NBR + FPM)
Medium temperature	Oxydizing acids and substances, hot oils with additives, salt solutions, waste gases, oxygen (FPM) 0 °C to 80 °C (NBR) 0 °C to 90 °C (FPM)
Viscosity	Max. 37 mm ² /s
Installation position	Any, preferably actuator face up



Electrical connection	Pin terminal acc. to DIN EN 175301-803
Voltage tolerance	±10 %
Nominal operating mode	Continuous operation 100 % duty cycle
Protection IP	IP 65 (with connector socket fitted)
Switching times AC	Opening: 8...15 ms Closing: 8...15 ms
Switching times DC	Opening: 10...20 ms Closing: 10...20 ms
Insulation class	H

P 3-536 e

3/2-way solenoid valve

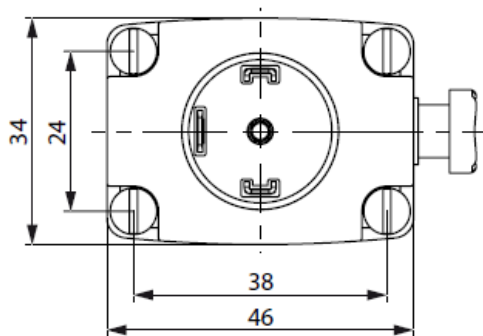
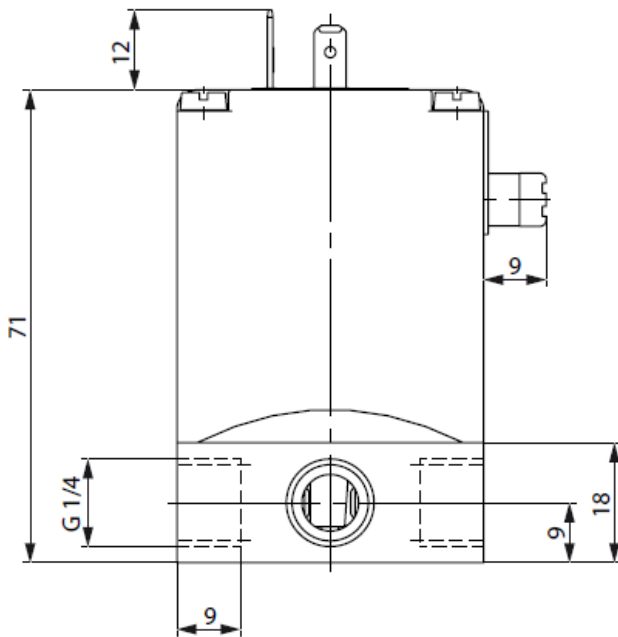
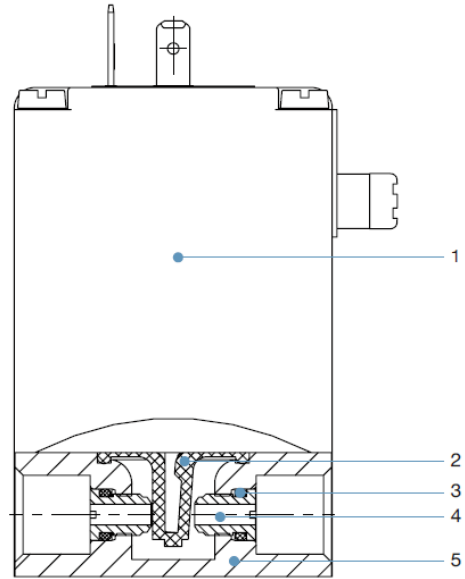
directly operated, media-separated

Art. No. 125807 to 125817



Materials

No.	Element	Material
1	Coil	Epoxy
2	Diaphragm	NBR / FPM Optional: EPDM / FFKM
3	O-ring	NBR / FPM Optional: EPDM / FFKM
4	Seat	Brass Optional: Stainless steel (1.4401) / PP (Polypropylene) / PVDF (Polyvinylidene fluoride)
5	Valve body	Brass Optional: Stainless steel (1.4401) / PP (Polypropylene) / PVDF (Polyvinylidene fluoride)



Media-separated 3/2-way solenoid valve, normally closed, directly operated, alternating current

Art. No.	Type No.	Thread	DN	Voltage	Sealant	Operating pressure bar
125807	MVC.14.MS.230.N.BD.3	G 1/4	3	230V AC	NBR	0 - 10
125808	MVC.14.MS.230.N.BD.4	G 1/4	4	230V AC	NBR	0 - 5
125803	MVC.14.MS.110.N.BD.3	G 1/4	3	110V AC	NBR	0 - 10
125804	MVC.14.MS.110.N.BD.4	G 1/4	4	110V AC	NBR	0 - 5
125809	MVC.14.MS.24A.N.BD.3	G 1/4	3	24V AC	NBR	0 - 10
125810	MVC.14.MS.24A.N.BD.4	G 1/4	4	24V AC	NBR	0 - 5

Media-separated 3/2-way solenoid valve, normally closed, directly operated, direct current

Art. No.	Type No.	Thread	DN	Voltage	Sealant	Operating pressure bar
125811	MVC.14.MS.24D.N.BD.3	G 1/4	3	24V DC	NBR	0 - 10
125812	MVC.14.MS.24D.N.BD.4	G 1/4	4	24V DC	NBR	0 - 5
125805	MVC.14.MS.12.N.BD.3	G 1/4	3	12V DC	NBR	0 - 10
125806	MVC.14.MS.12.N.BD.4	G 1/4	4	12V DC	NBR	0 - 5

Media-separated 3/2-way solenoid valve, flow direction optional, directly operated, alternating current

Art. No.	Type No.	Thread	DN	Voltage	Sealant	Operating pressure bar
125818	MVW.14.MS.230.F.BD.2	G 1/4	2	230V AC	FPM	0 - 12
125819	MVW.14.MS.230.F.BD.3	G 1/4	3	230V AC	FPM	0 - 8
125813	MVW.14.MS.110.F.BD.2	G 1/4	2	110V AC	FPM	0 - 12
125815	MVW.14.MS.110.F.BD.3	G 1/4	3	110V AC	FPM	0 - 8
125820	MVW.14.MS.24A.F.BD.2	G 1/4	2	24V AC	FPM	0 - 12
125821	MVW.14.MS.24A.F.BD.3	G 1/4	3	24V AC	FPM	0 - 8

Media-separated 3/2-way solenoid valve, flow direction optional, directly operated, direct current

Art. No.	Type No.	Thread	DN	Voltage	Sealant	Operating pressure bar
125822	MVW.14.MS.24D.F.BD.2	G 1/4	2	24V DC	FPM	0 - 12
125823	MVW.14.MS.24D.F.BD.3	G 1/4	3	24V DC	FPM	0 - 8
125816	MVW.14.MS.12.F.BD.2	G 1/4	2	12V DC	FPM	0 - 12
125817	MVW.14.MS.12.F.BD.3	G 1/4	3	12V DC	FPM	0 - 8

➔ Solenoid valves are supplied without a connector socket as standard. The connector socket must be ordered separately if required.

Characteristics valve body /electrical data

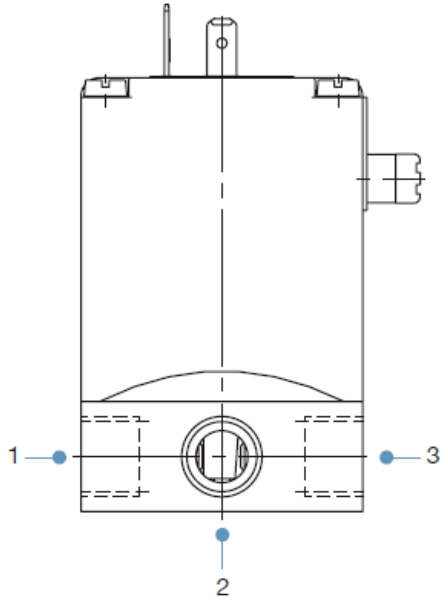
Type	Function	DN	Flow coefficient (Kv) water* m ³ /h	Pickup ~ VA	Holding ~ VA / W	hot / cold = W	Ambient temperature °C	Surface temperature coil housing °C **	Coil Insulation class H °C **
MVC	AC	3	0.18	30	15 / 8	8 / 11	0 to 55	max. 100	max. 180
		4	0.23						
	DC	3	0.14	30	15 / 8	8 / 11			
		4	0.17						
MVW	AC	2	0.11	30	15 / 8	8 / 11			
		3	0.18						
	DC	2	0.08	30	15 / 8	8 / 11			
		3	0.14						

* Measurement at + 20 °C, 1 bar pressure at the valve inlet and free outlet, a pressure difference of 0.5 bar is required to open the full cross-section.

** It must be ensured that the temperature of the coil can be dissipated to the ambient air.

All temperature specifications are designed for 100% duty cycle.

Process connections

Circuit function	Connection 1	Connection 2	Connection 3	3 way
C	P*	A**	R**	
T	NC	IN/OUT	NO	

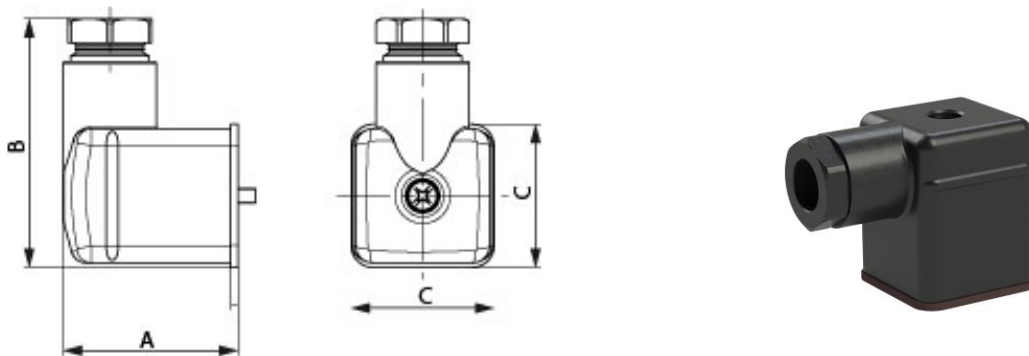
P* = Pressure side connection

A** = Working connection to the output

R*** = Backflow

Connector socket

Cover	Polyamide
Contact	Brass
Sealant	NBR
Cable outlet	Can be rotated through 4x90°
Cable gland	M16x1.5
Continuous maximum temperature	-40 °C to 125 °C (connector socket) -30 °C to 90 °C (NBR sealant)
Electrical connection	Acc. to DIN EN 175301-803



Connector socket for media-separated solenoid valve

Art. No.	Type No.	Protection IP	Voltage	Version	A mm	B mm	C mm
124691	GS.MV.0-250V	IP65/IP67	0-250 V AC/DC	without circuitry	35.7	51.0	29.2
124702	GS.MV.12-24V	IP65	12-24 V AC/DC	with LED	35.7	51.0	29.2
129205	GS.MV.LED.240V	IP65	200-240 V AC/DC	with LED	35.7	51.0	29.2